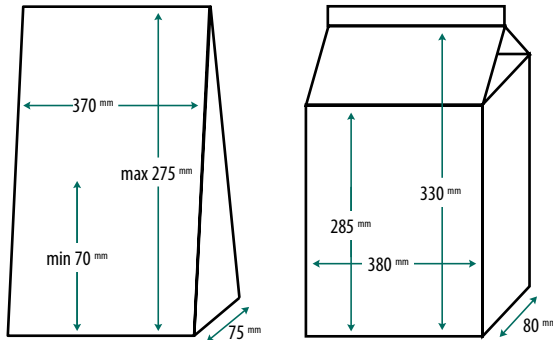


# Toucan



Series of vertical vacuum packaging machines, suitable for packing pouches of different sizes through the adjustable platform provided. Unique table-top models to vacuum pack sauces, soups, coffee and powders in square or rectangular packages and pouches. Comes with a specially made to measure mould for easy and custom vertical packing of your products.



## TOUCAN REGULAR



**PUMP CAPACITY** 21 m<sup>3</sup>/h  
**MACHINE CYCLE** 15-35 sec  
**MACHINE DIMENSIONS**  
 480 x 490 x 780 mm  
**SEAL BAR** 420 mm  
**WEIGHT** 79 kg  
**VOLTAGE** 230V-1-50Hz  
**POWER** 0,75 kW

### STANDARD

TIME CONTROL, DOUBLE/  
 WIDE SEAL (8 MM), SOFT AIR,  
 PLATFORM FOR STAND-UP  
 POUCHES (SELF-STANDING)

### OPTIONS

SENSOR CONTROL, ACS,  
 LIQUID CONTROL, GAS FLUSH,  
 BI-ACTIVE SEAL

## TOUCAN SQUARE



**PUMP CAPACITY** 21 m<sup>3</sup>/h  
**MACHINE CYCLE** 15-35 sec  
**MACHINE DIMENSIONS**  
 480 x 490 x 780 mm  
**SEAL BAR** 420 mm  
**WEIGHT** 79 kg  
**VOLTAGE** 230V-1-50Hz  
**POWER** 0,75 kW

### STANDARD

TIME CONTROL, DOUBLE SEAL,  
 SOFT AIR, MOULD FOR SQUARE  
 PACKAGES

### OPTIONS

SENSOR CONTROL, ACS,  
 LIQUID CONTROL, GAS FLUSH,  
 BI-ACTIVE SEAL, PLATFORM  
 FOR STAND-UP POUCHES  
 (SELF-STANDING)

The chamber dimensions listed refer to the usable space in the vacuum chamber (length x width x height).  
 The machine dimensions listed refer to length x width x height. Other voltages available. Textual and printing errors reserved.